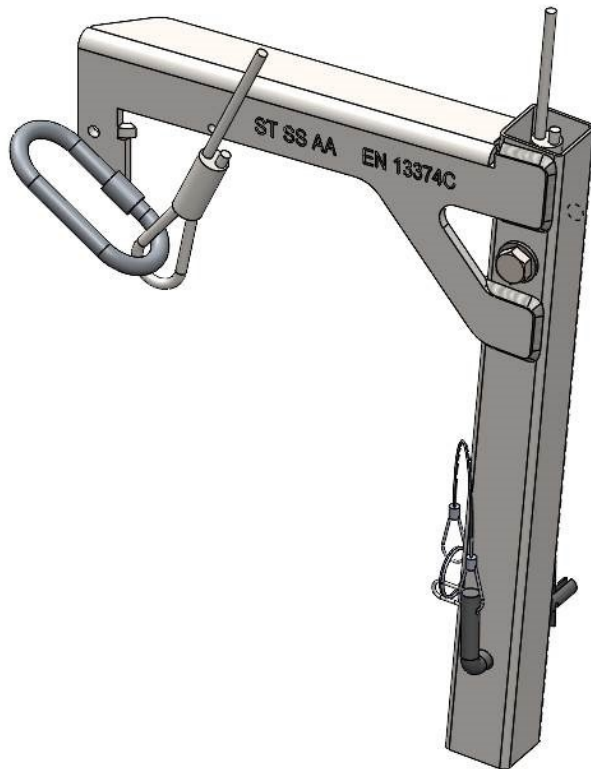


Technical sheet

Ref. 020908

L shaped bracket for lower roof with top and bottom fixations



FEATURES

SPECIFICATIONS

Length (mm)	1040
Width (mm)	400
Height (mm)	500
Weight (kg)	0

Technical description

Galvanized steel fixation system to be installed on brackets ref. 015 000 and 010 116. The mini bracket is fitted with a 60 cm dual-safety sling to be hung on the low roof anchor which is part of the set.

Actions :

Trades :